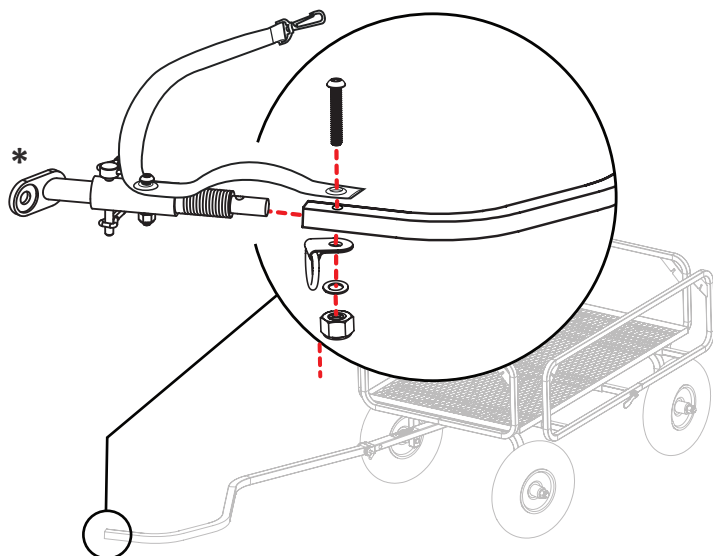
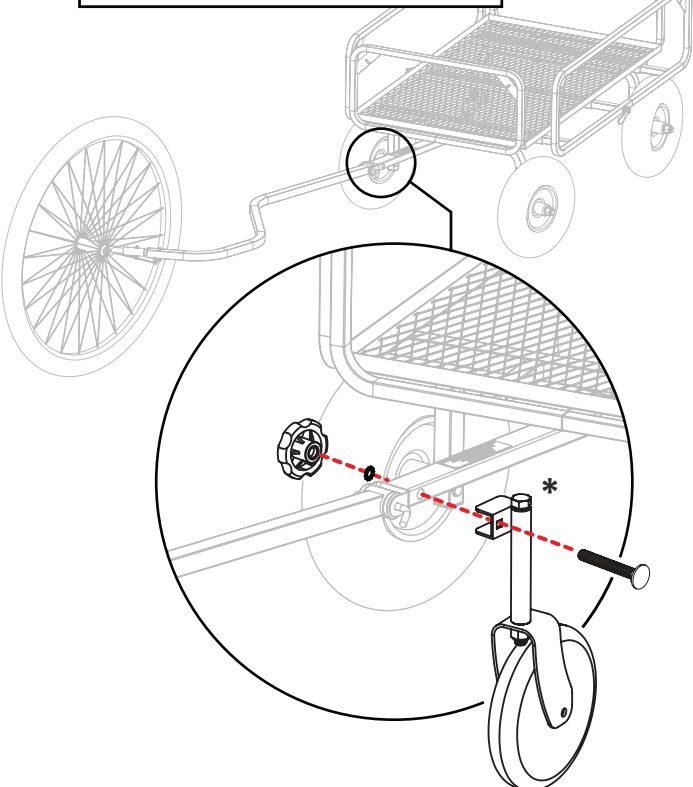
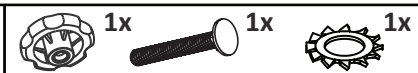


9



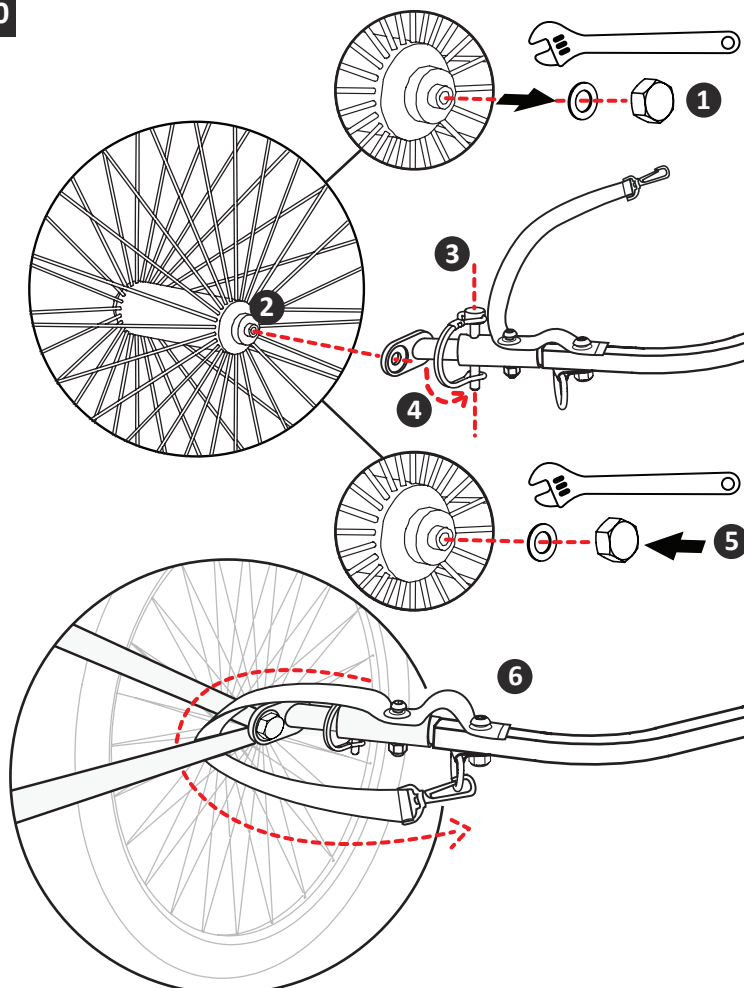
*FOR BIKE ATTACHMENT ACCESSORY
- SKIP STEP FOR BASIC KIT

11



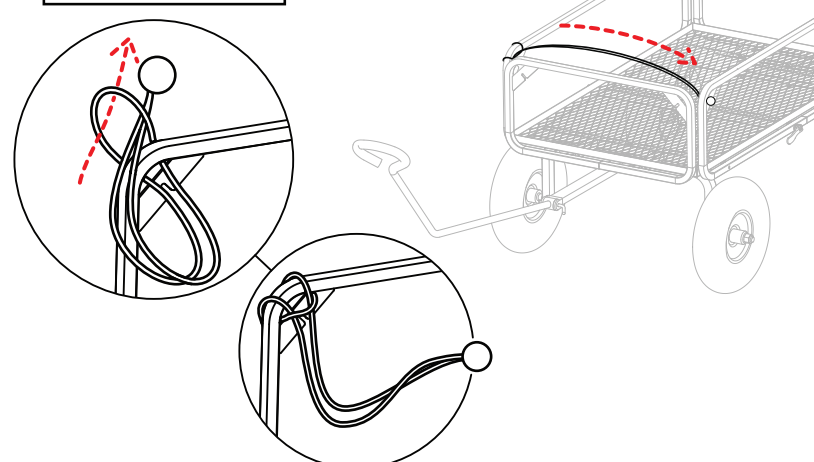
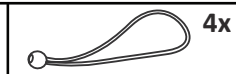
* THE AIRPLANE NOSE WHEEL IS PROVIDED FOR ADDITIONAL STABILITY WHEN TURNING. SKIP STEP FOR BASIC KIT, IF USING THE BIKE ATTACHMENT OR ADDITIONAL STABILITY IS NOT NEEDED.

10



*FOR BIKE ATTACHMENT ACCESSORY - SKIP STEP FOR BASIC KIT

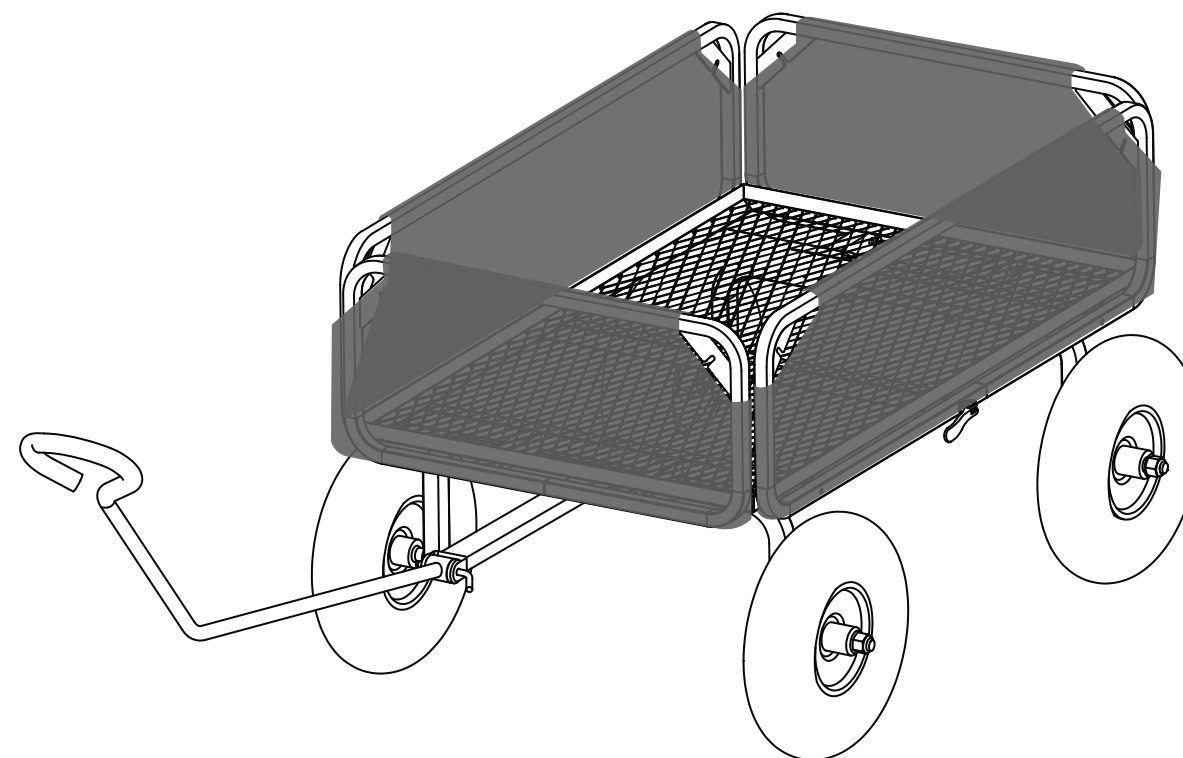
12



* BALL END OF BUNGEE CORD CAN ATTACH TO ANY CORNER SLIT AS INDICATED ABOVE

THE SHORE & CHORE™ CART

ASSEMBLY INSTRUCTIONS



IMPORTANT SAFETY INSTRUCTIONS

- Read and understand all assembly and operation instructions before using this product
- Do not exceed the overall maximum load capacity of 400 lbs.
- Do not exceed 5 mph.
- Do not inflate tires more than 30 PSI.
- Do not use this cart for transporting passengers.
- Do not operate if any parts are damaged or loose.
- Distribute load evenly in wagon's bed.
- Do not allow children to use this wagon. This is not a toy.



WARNING:

THE SHORE & CHORE™ CART

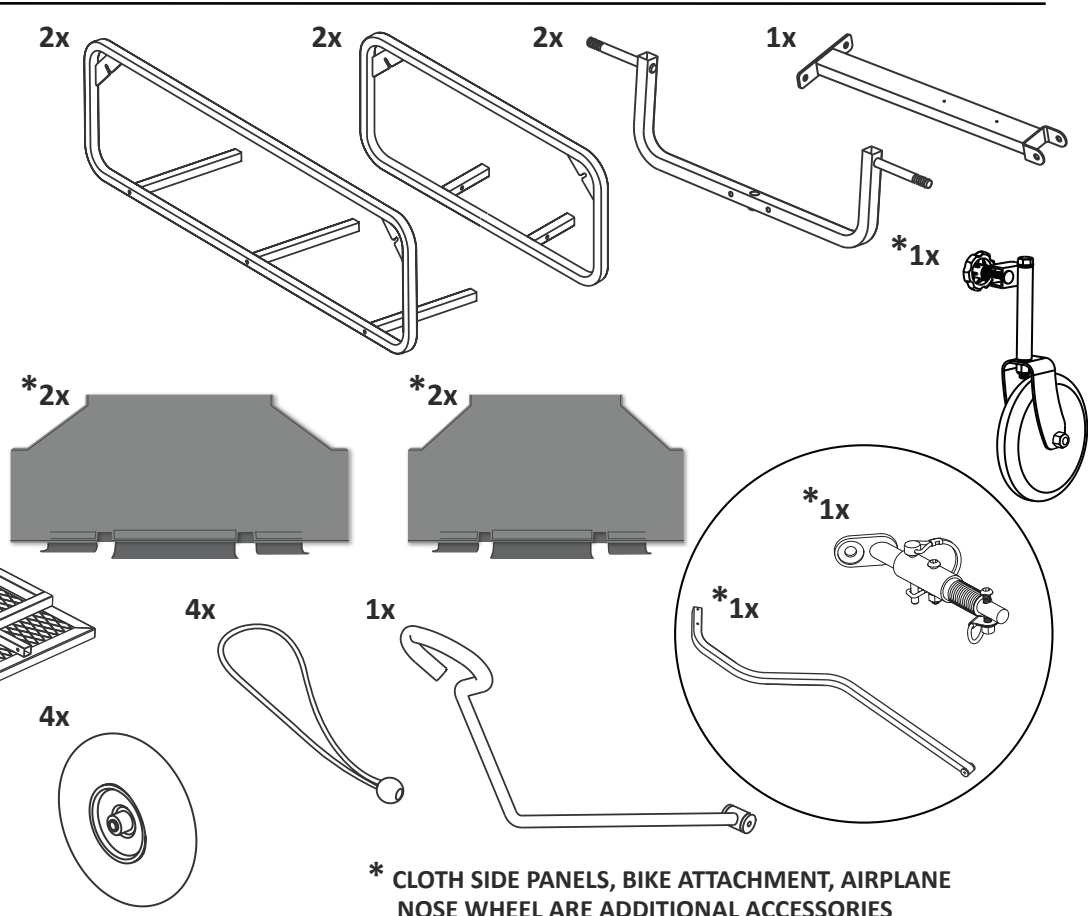
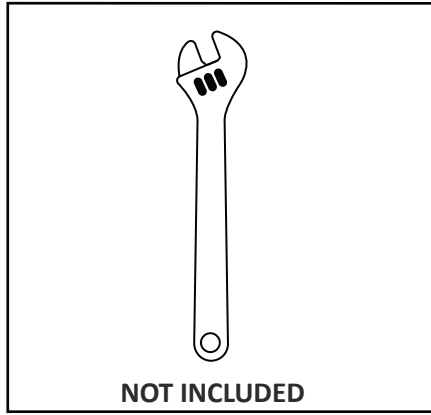
www.shoreandchore.com

Patent No. 11,117,604

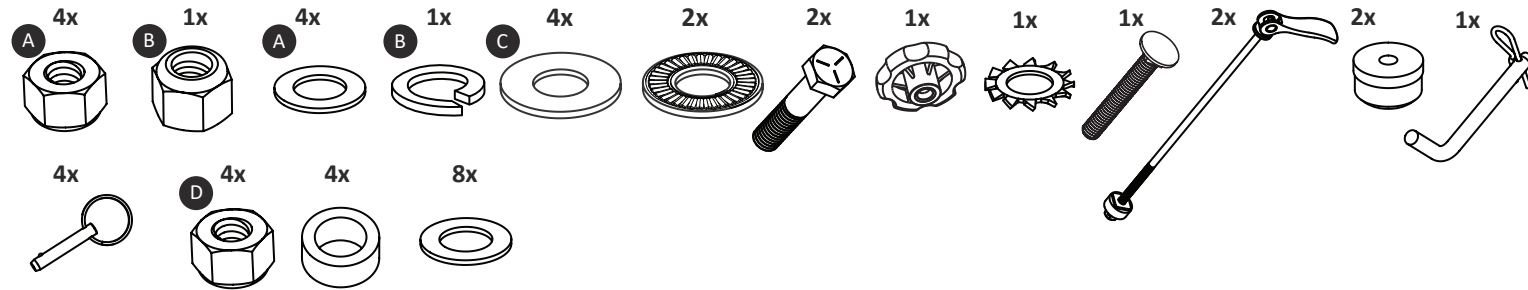
Please make sure you have all the parts before starting. Failure to comply with or observe all assembly, safety and operation instructions and warnings could make the cart hazardous. Keep instructions for future reference.

TOOLS REQUIRED

PARTS INCLUDED



HARDWARE INCLUDED



ASSEMBLY

